

F900 SERIES



E9781 Boiling Pans - 100L/150L

Spares Information



E9881-Spares-06'18

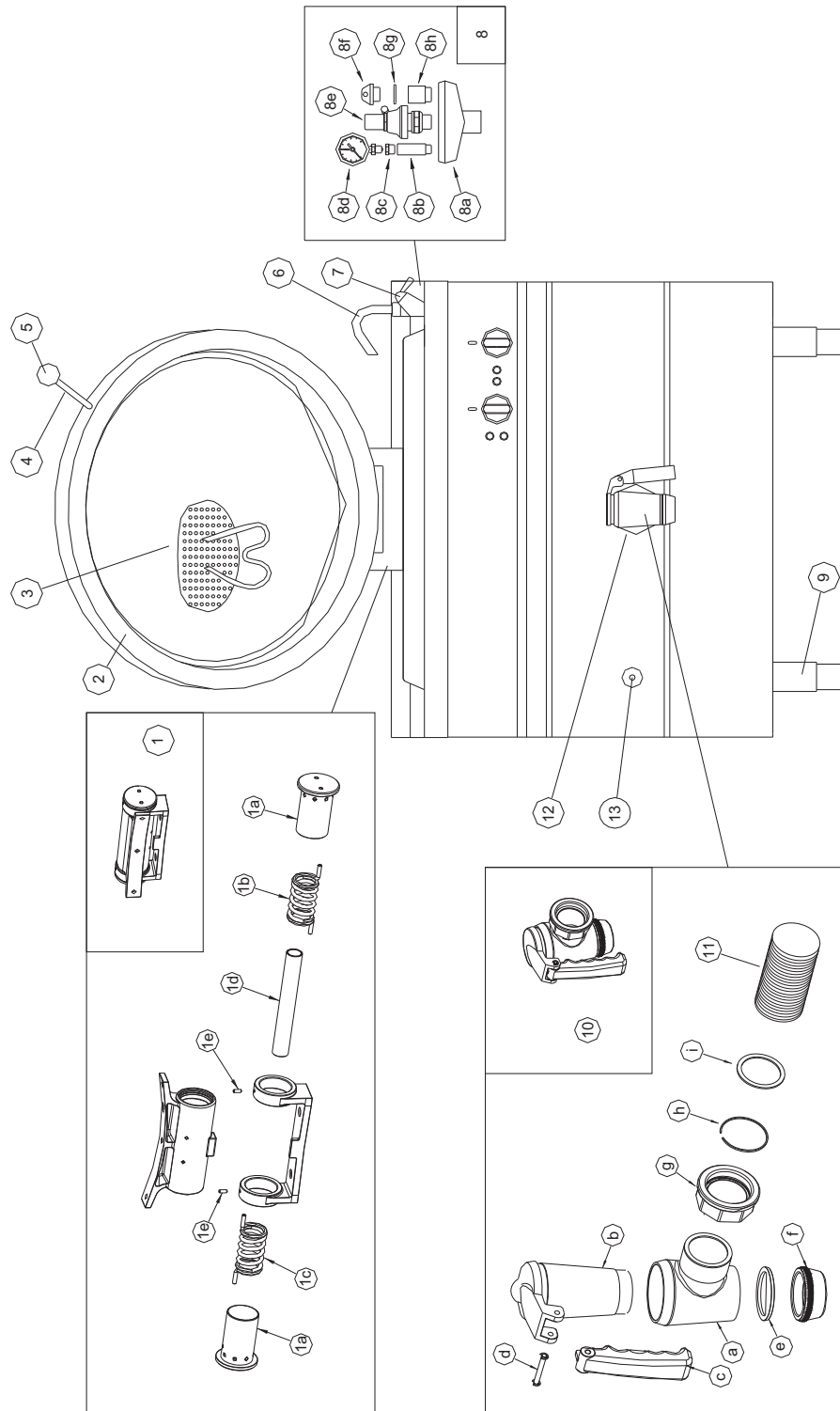
**Falcon Foodservice Equipment**

Wallace View, Hillfoots Road, Stirling FK9 5PY t: +44 (0) 1786 455 200 f: 08000 275 595  
info@falconfoodservice.com [www.falconfoodservice.com](http://www.falconfoodservice.com)

# F900 SERIES

## E9781 Boiling Pans - 100L/150L

### Fitments and Controls



## Fitments and Controls

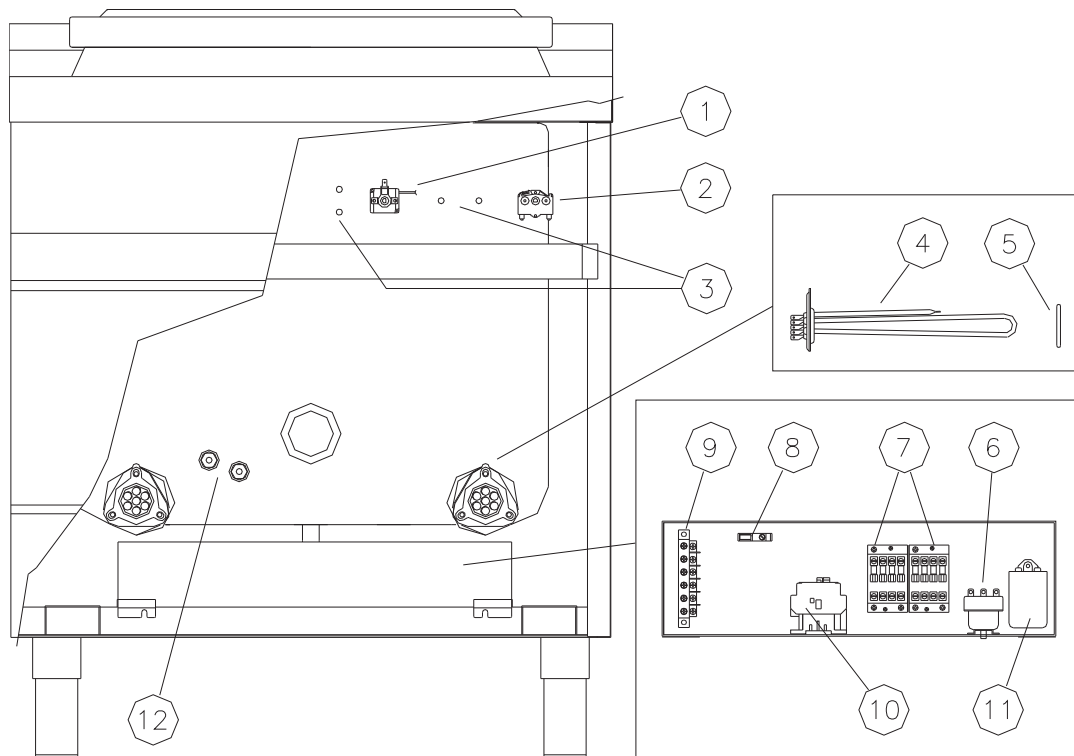


Item	Description	Spares No.	Part No.
1.	Hinge Ø320	F900-20300096	20300096
1a.	Hinge pivot 20300096	F900-20300097	20300097
1b.	Spring DX d.4	F900-20500052	20500052
1c.	Spring SX d.4	F900-20500054	20500054
1d.	Tube for hinge	F900-50400062	50400062 L=225
1e.	Grain inox M6	F900-A99-05	A99-05
2.	Lid	F900-SMP0120-00	SMP0123-00
3.	Kettle filter	F900-30700122	30700122
4.	Handle extension	F900-20200014	20200014
5.	Cover handle	F900-20200013	20200013
6.	Water faucet	F900-30200072	30200072
7.	Mixer tap - 1 hole connection	F900-30200070	30200070
8.	Pressure gauge assembly	F900-GRP14-0002	GRP14-0002
8a.	Tube socket	F900-30300062	30300062
8b.	3/8" extension	F900-10400058	10400058
8c.	Reducer 3/8"M - 1/4"F	F900-10400052	10400052
8d.	Gauge display	F900-30300022	30300022
8e.	Safety valve 0.5bar	F900-30300014	30300014
8f.	3/4" plug	F900-10400061	10400061
8g.	O-ring 28	F900-10500110	10500110
8h.	3/4" extension	F900-10400059	10400059
9.	Foot (2")	F900-20100020	20100020
10.	Tap (2")	F900-30200198	30200198
a.	Tap body		
b.	Conical thread (male)		
c.	Cool touch handle	F900-30200182	30200182
d.	Fixing pin	F900-10200002	10200002
e.	Washer for drain tap		
f.	Ring for drain tap		
g.	Revolving dice (2")		
h.	Ring implantation dice (2")		
i.	Teflon washer Ø60 x 46 x 2 (mm)	F900-10500060	10500060
11.	Nipples	F900-10400006	10400006
12.	Tap boss (2")	F900-10200002	10200002
13.	Level tap	F900-30200050	30200050

# F900 SERIES

## E9781 Boiling Pans - 100L/150L

### Controls





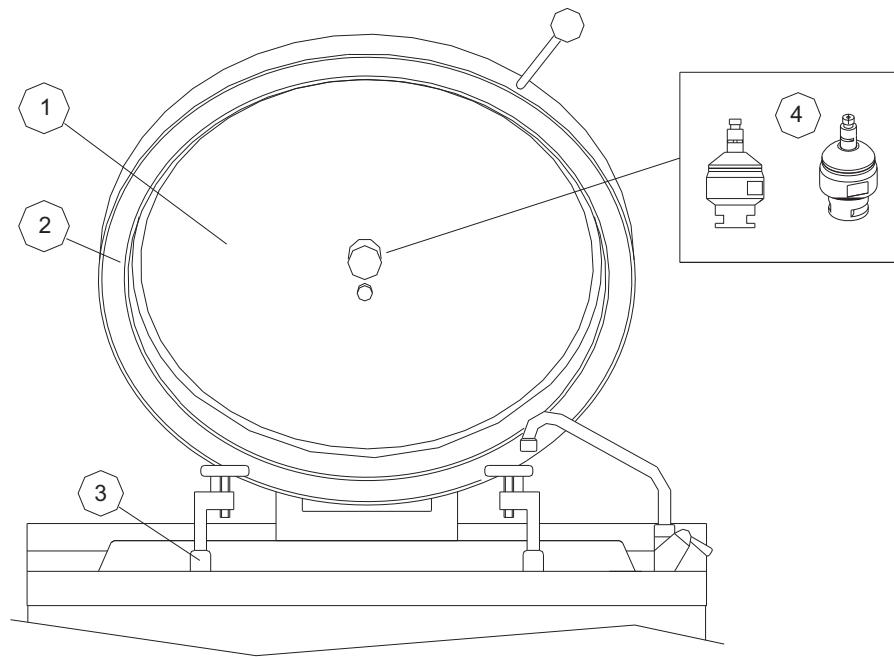
## Controls

Item	Description	Spares No.	Part No.
1.	Thermostat	F900-40100050	40100050
2.	Changeover switch	F900-40100004	40100004
3.	Neon lamp		
4.	Heating element	F900-40400048	40400048
4.	Heating element	F900-40400038	40400038
5.	O-ring (Ø47mm)	F900-10500100	10500100
6.	Safety thermostat	F900-30500005	30500005
7.	Electro-magnetic switch	F900-30100005	30100005
8.	Fuse	F900-40400100	40400100
9.	Hold fast	F900-40200016	40200016
10.	Electro-magnetic switch	F900-40100024	40100024
11.	Level control device	F900-40800054	40800054
12.	Level control electrode	F900-40800040	40800040

# F900 SERIES

## E9781 Boiling Pans - 100L/150L

### Lid Fitments





## Lid Fitments

Item	Description	Spares No.	Part No.
1.	Autoclave lid	F900-SMP0126-00	SMP0126-00
2.	Gasket for autoclave lid	F900-10600290	10600290
3.	Lock clamp	F900-20300093	20300093
4.	Safety valve	F900-30300026	30300026